

GM-1590 GM-1790 GM-1990

Monitor LCD-TFT per TVCC con doppio ingresso video



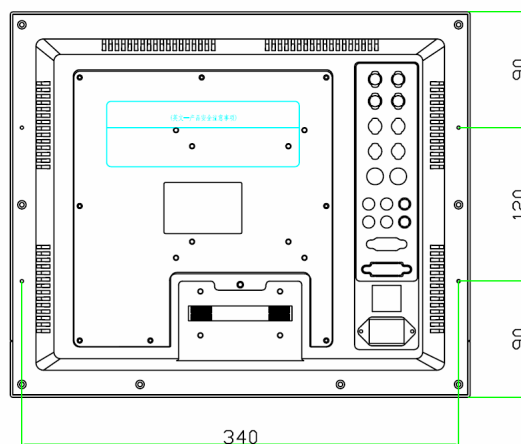
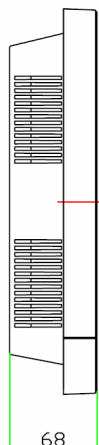
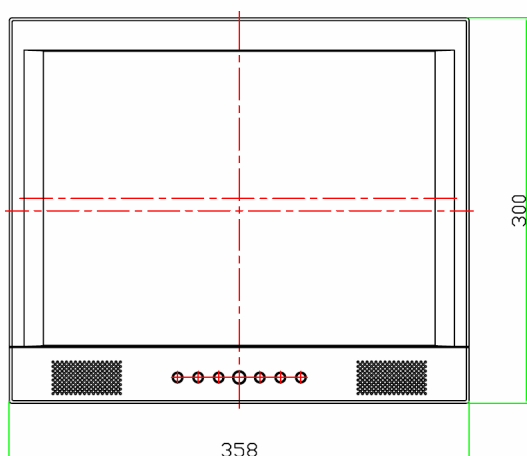
- Doppio ingresso video BNC con loop
- Telecomando IR
- Alimentazione 12 Vdc /220v
- Completo di alimentatore 220V
- Supporto da tavolo
- INGRESSO audio
- Attacco VESA
- Alta risoluzione

Modello	GM-1590	GM-1790	GM-1990
System	PAL, NTSC		
Definition	SUPPORT 1080i		
Resolution	Support 1024x768; downwards compatible		
Luminance	350cd/m ²	300cd/m ²	450cd/m ²
Contrast	450:1	450:1	1000:1
Response Time	8ms	Tr+Tf □ 16ms	8ms
Visual Angle	170°/150°	170°/160°	170°/160°
Video Input/Output	1 channel S-video, 1 channel YPBPR(1080P), 2 channels multiple video BNC input/output and 1 channel VGA input, 1 channel DVI input		
Audio Input/Output	3 channels Input 3 channels Output Audio frequency 1W		
Resolution	Max □ NTSC 660 lines, PAL 800 lines NTSC/PAL automated switch		
Front Panel Control	Channel Switch, Menu, Volume, Power Switch		
Power source	Dc 12V Alimentatore 220Vac		
Operating environment	Temperature □ 0° C □ 40° C Humidity □ 10% □ 85%		
Source Power	Maximum 32W	Maximum 32W	Maximum 40W
Dimension	358 mm×300mm×67mm □ W×H×D □	383mm×335mm×67 mm □ W×H×D □	458mm×373mm×77mm □ W×H×D □

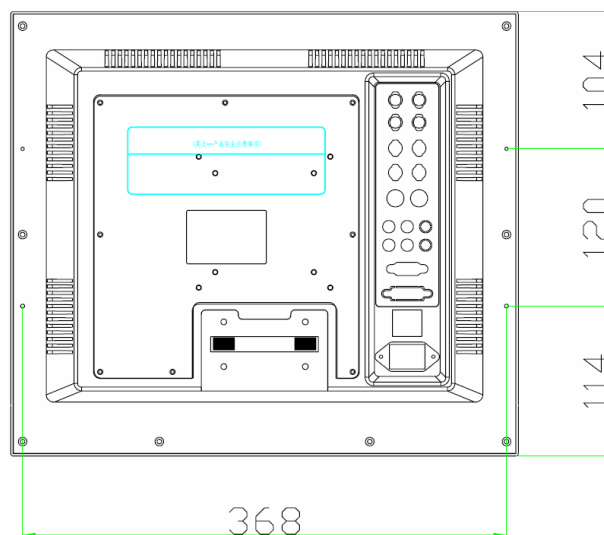
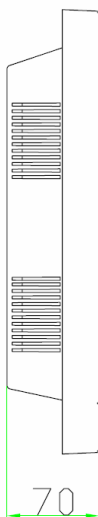
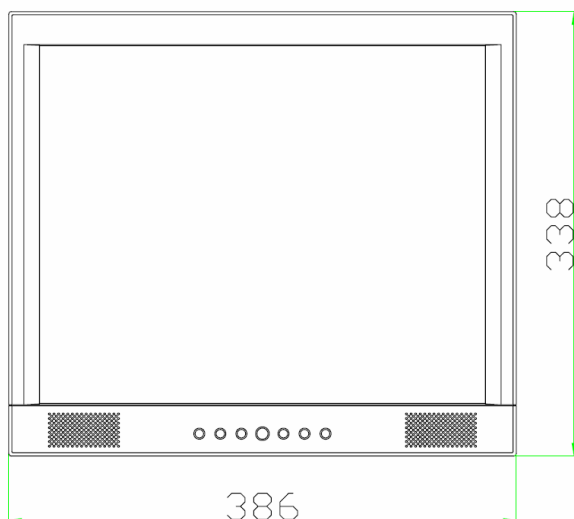


GM-1590 GM-1790 GM-1990

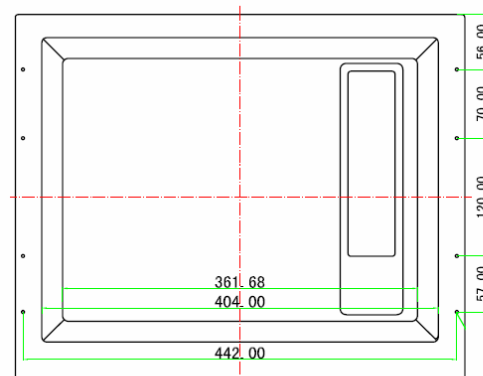
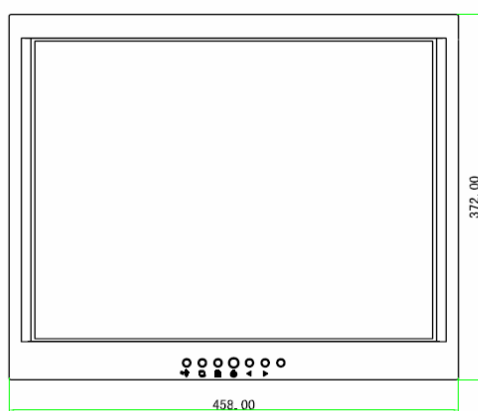
Monitor LCD-TFT per TVCC con doppio ingresso video



GM-1590



GM-1790



GM-1990