

## T0412FICS-3

4mm F1.2

for 1/3" format cameras

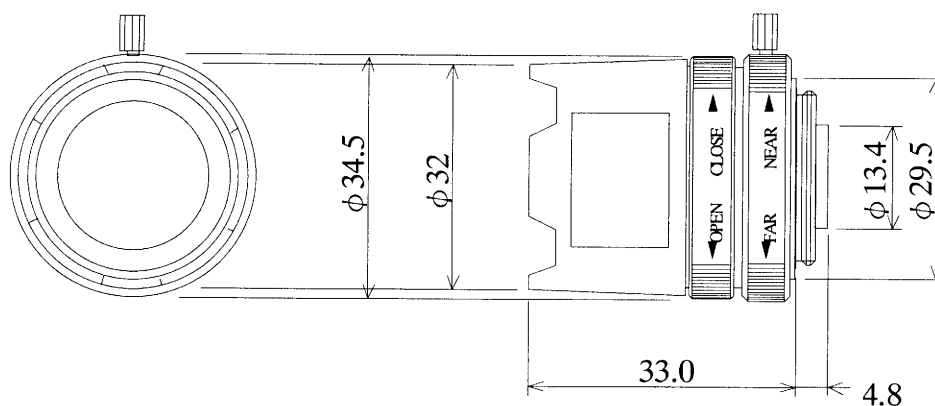
CS-Mount

<b>Model No.</b>	T0412FICS-3	<b>Effective</b>	<b>Front</b>	φ15.5 mm
<b>Focal Length</b>	4 mm	<b>Lens Aperture</b>	<b>Rear</b>	φ8.5 mm
<b>Max. Aperture Ratio</b>	1 : 1.2	<b>Back Focal Length</b>		7.7 mm
<b>Max. Image Format</b>	4.8 X 3.6 mm (φ6 mm)	<b>Flange Back Length</b>		12.5 mm
<b>Operation</b>	<b>Iris</b>	F1.2 ~ 16C	<b>Mount</b>	CS-Mount
	<b>Focus</b>	0.2m ~ Inf.	<b>Filter Size</b>	M30.5 x 0.5
<b>Object Dimension at M.O.D.</b>	24.9 x 18.3 cm	<b>Dimensions</b>		φ34.5 x 33.0 mm
		<b>Weight</b>		36g
<b>Angle of View</b>	<b>D</b>			76.9°
	<b>H</b>	1/3"		63.9°
	<b>V</b>			49.1°

1/3

M.O.D. : Minimum Object Distance

### Dimensions



CS

F