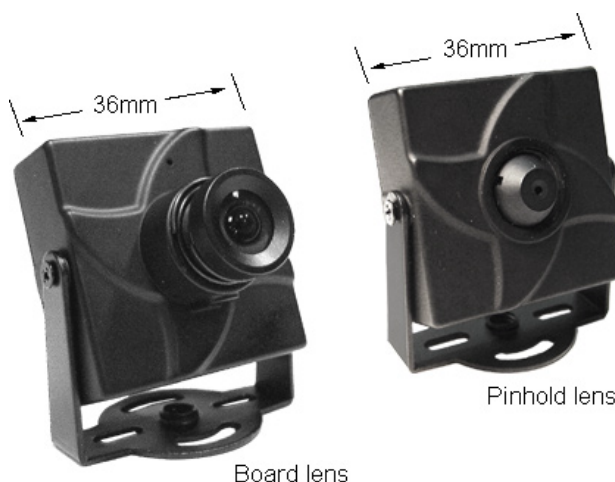


# PRO 1001 PRO1111

## 1/4" Color Mini Camera

### Features

- 1/4" Sharp Color CCD image sensor
- 350 TV lines.
- 1 Lux / F2.0.
- AGC, AWB, AES



### Specification

<b>Pick up Element</b>	1/4" Sharp Color CCD image sensor	
<b>Number of Pixel</b>	512(H)x492(V) <NTSC>	512(H)x582(V) <PAL>
<b>Resolution</b>	350 TV lines	
<b>Min. Illumination</b>	1 Lux / F2.0	
<b>S/N Ratio</b>	More than 48dB (AGC off)	
<b>Electronic Shutter</b>	1/60 (1/50) to 1/100,000 sec.	
<b>Gamma Correction</b>	0.45	
<b>White Balance</b>	Auto white balance	
<b>AGC</b>	Yes	
<b>Standard Board Lens</b>	f3.6mm / F2.0	
<b>Pinhole Lens</b>	f3.7mm / F2.0	
<b>Lens Angle</b>	Board Lens: 70° Pinhole Lens: 67.5°	
<b>Video Output</b>	1.0 Vp-p composite, 75	
<b>Microphone</b>	Yes	
<b>Power Source</b>	DC12V± 10%	
<b>Current Consumption</b>	110 mA	
<b>Dimension (mm)</b>	Board Lens: 36(W) x 36(H) x 14(D) Pinhole Lens: 36(W) x 36(H) x 13(D)	
<b>Weight</b>	105g	

- Designs and specifications are subject to change without notice. [www.gammacommerciale.it](http://www.gammacommerciale.it)