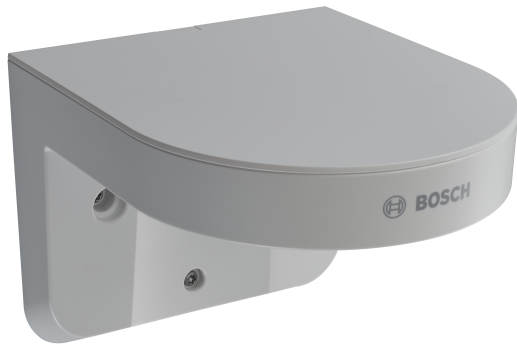


NDA-3083-LWMT Compact wall mount, 110, 123, 137, 148mm



- ▶ Compact and sleek design
- ▶ IK10 rated for better protection
- ▶ Easy and flexible installation
- ▶ 4s compatibility
- ▶ One accessory line for multiple Bosch cameras

This easy-to-install and sturdy wall mount with 4s compatibility is specifically designed for installations where wall or ceiling mounting are not possible. The L shape wall mount provides more flexibility in positioning the camera and it is compatible with a wide range of cameras:

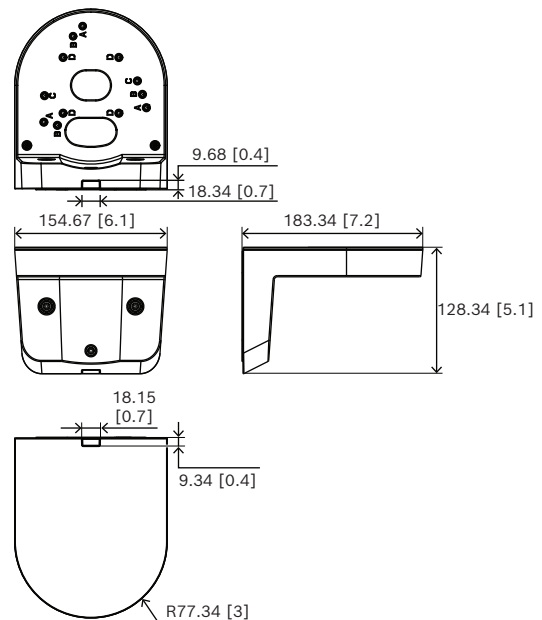
- FLEXIDOME indoor 3100i
- FLEXIDOME indoor 3100i IR
- FLEXIDOME outdoor 3100i IR
- FLEXIDOME micro 3100i indoor
- FLEXIDOME micro 3100i outdoor
- FLEXIDOME indoor 5100i
- FLEXIDOME indoor 5100i IR
- FLEXIDOME outdoor 5100i
- FLEXIDOME outdoor 5100i IR.

Regulatory information

Environmental

Salt mist	IEC60068-2-52
Vibration	IEC60068-2-6
Shock	IEC60068-2-27
Impact	IK10

Installation/configuration notes



Dimensions in mm (inch)

Parts included

Quantity	Component
1	Mounting plate
6	Screws (TR20 M4x12)
4	Shoulder bold screw (TR20 M4x12)

Quantity	Component
1	Quick installation guide

Technical specifications

Mechanical

Material	Plastic; Metal
Color (RAL)	RAL 9003 Signal white
Dimensions (Ø x H) (mm)	184 mm x 128 mm
Dimensions (Ø x H) (in)	7.24 in x 5.03 in
Weight (g)	1.077 g
Weight (lb)	2.37 lb

Ordering information

NDA-3083-LWMT Compact wall mount, 110, 123, 137, 148mm

L-shaped wall mount support for 4S and gangbox for FLEXIDOME indoor 3100i, FLEXIDOME indoor 3100i IR, FLEXIDOME outdoor 3100i IR, FLEXIDOME micro 3100i indoor, FLEXIDOME micro 3100i outdoor, FLEXIDOME indoor 5100i, FLEXIDOME indoor 5100i IR, FLEXIDOME outdoor 5100i, FLEXIDOME outdoor 5100i IR

Order number **NDA-3083-LWMT**



<https://www.boschsecurity.com>