

# 27 inches IT Monitor

MW-LC27-B



## Features

- Resolution is up to at 1920 x 1080.
- Refresh rate up to 75Hz.
- 178° horizontal and vertical viewing angle.
- Screen can reduce blue light, protect eyes.
- Plastic body, ultra-narrow bezel, light weight and elegant.
- Shielding cover design, effectively preventing electromagnetic radiation.
- Stable structure design, highly durable.
- Automatically detect if the signal is connected successful.
- Support multiple language.

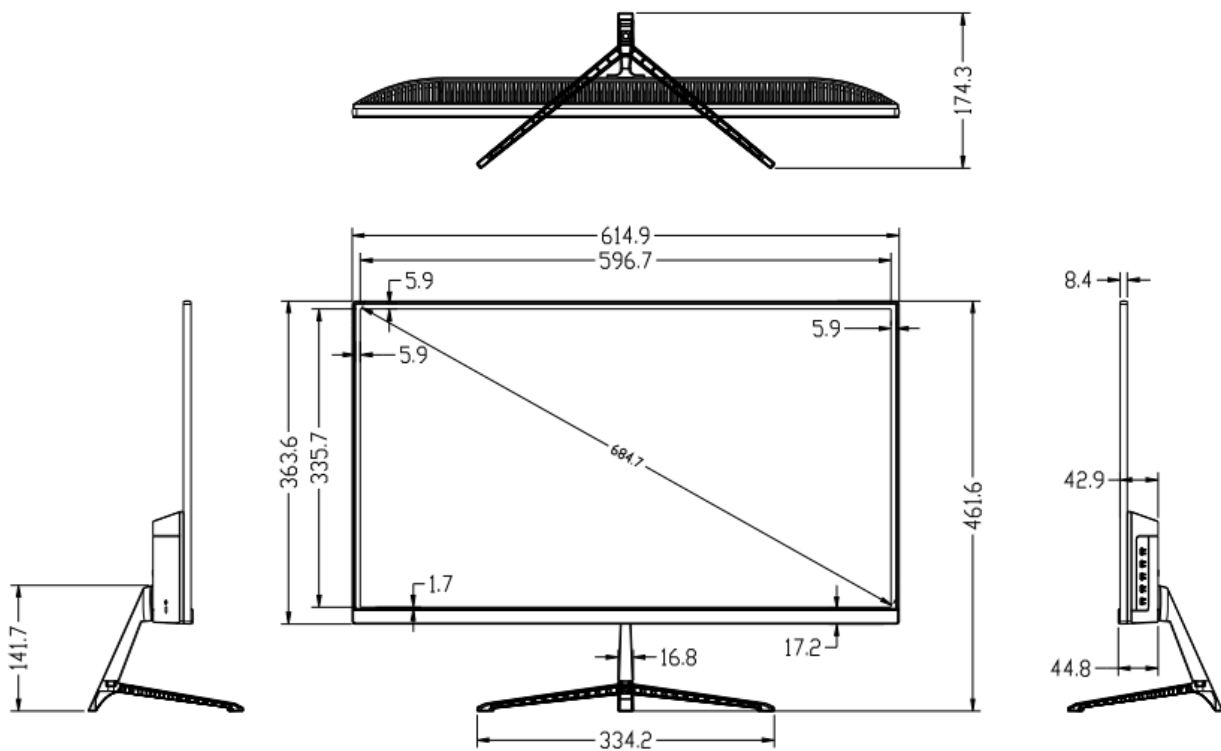
## Specifications

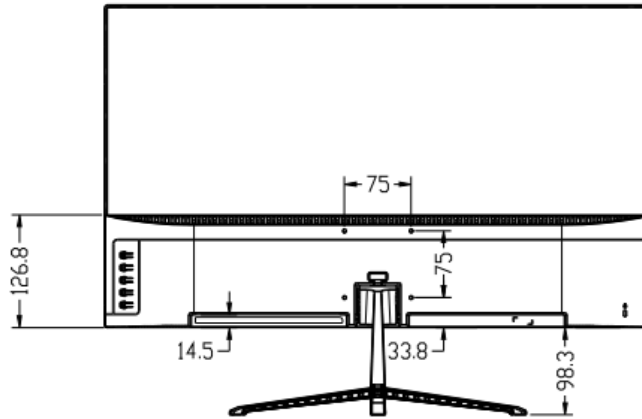
Model	MW-LC27-B
Panel	
Backlight	LED
Panel Size	27"
Pixel Pitch (H x V) (mm)	0.31 x 0.31
Resolution	1920 × 1080

Color Support	16.7 M
Brightness (cd/m <sup>2</sup> )	250
Contrast Ratio	4000:1
Refresh Rate	75 Hz
Response Time (ms)	14
Viewing Angle (H/V)	Horizontal 178°, Vertical 178°
Display Size (mm)	596.7 x 335.7
Operation Hour	18/7
Bezel Width	2.8mm (top/left/right), 17.2 mm (bottom)
Color Gamut	72% NTSC
Surface Treatment	Haze 25%, 3H
LCD Technology/Panel Type	VA
<b>Interface</b>	
Video Input	1 x HDMI(1920 x 1080@75 Hz), 1 x VGA(1920 x 1080@60 Hz)
<b>VESA</b>	
VESA (mm)	100 x 100
Wall-mounted Thread	4-M4 Threaded Hole, 8mm Deep Thread
<b>OSD</b>	
Multi-Language	Chinese, English, Korean, Polish, French, German, Italian, Spanish, Portuguese, Japanese, Dutch
<b>General</b>	
Input Voltage	DC 12 V, 2.5 A
Typical Power Consumption (W)	≤28
Standby Power Consumption (W)	≤0.5
Package Dimensions (W x H x D) (mm)	673 x 432 x 112
Weight (Kg)	Net Weight: 3.6 Gross Weight: 4.8
Operating Temperature	0°C ~ 40°C
Operating Humidity	10% ~ 85% (No Condensation)
Storage Temperature	-20°C ~ 60°C
Storage Humidity	5% ~ 90% (No Condensation)

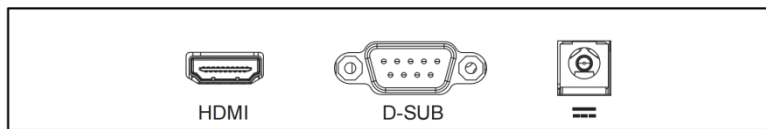
Standard	1 x HDMI Cable, 1 x Quick Guide, 1 x Pedestal, 1 x Adapter
Material	Plastic
Lifetime (h)	30000
Certifications	CE/FCC
MTBF	50000 h

## Dimensions





## Interface



## Ordering Info

Product Model	Description
MW-LC27-B	27 inches IT Monitor

### Zhejiang Uniview Technologies Co., Ltd.

No. 369, Xietong Road, Xixing Sub-district, Binjiang District, Hangzhou City, 310051, Zhejiang Province, China (Zhejiang) Pilot Free Trade Zone, China

Email: [overseasbusiness@uniview.com](mailto:overseasbusiness@uniview.com); [globalsupport@uniview.com](mailto:globalsupport@uniview.com)

<http://www.uniview.com>

©2024-2025 Zhejiang Uniview Technologies Co., Ltd. All rights reserved.

\*Product specifications and availability are subject to change without notice.

\*Despite our best efforts, technical or typographical errors may exist in this document. Uniview cannot be held responsible for any such errors and reserves the right to change the contents of this document without prior notice.