

PSCL series power supply

Switch mode power supply 12VDC, IP67



CODE: **PSCL12050**
 TYPE: **PSCL 12V/5A switch mode power supply**

EN/II

Features of the power supply unit:

- ? power output 5A/12VDC*
- ? universal AC input voltage range 90÷264V
- ? high efficiency 87%
- ? standby power <0,5W
- ? efficiency level: V
- ? IP 67 case
- ? protections:
 - ? SCP short-circuit protection
 - ? overvoltage protection (AC input)
 - ? overload (OLP)
- ? warranty – 2 year from the production date



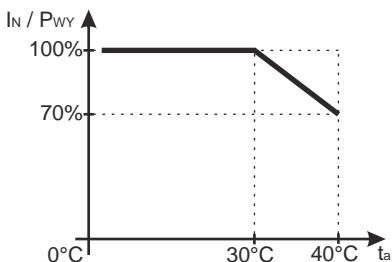
DESCRIPTION

Stabilized DC power supply is intended for supply equipments that require stabilised voltage of **12V DC**. When connected to fuse blocks of the LB4/xx/xx or LB8/xx/xx family, the power supply unit can feed more equipments (max. 4 or 8). The power supply unit is protected against short-circuit, overload and overvoltage.

SPECIFICATIONS.

Supply voltage	90 ÷ 264 V AC 50÷60Hz
Current consumption	0,6A@230VAC max.
Supply power	60W max.
Efficiency	87%
Output voltage	12V DC
Output current $t_{AMB}<30^{\circ}C$	5 A - refer to graph 1.
Output current $t_{AMB}=40^{\circ}C$	3,5 A - refer to graph 1.
Ripple voltage	100mV p-p max.
Short-circuit protection SCP	electronic, automatic recovery
Overload protection OLP	150-200% of power supply, automatic recovery
IP protection class	IP67
Operation conditions	temperature $-10^{\circ}C \div 40^{\circ}C$ relative humidity 20%...90% without condensation
Dimensions (LxWxH)	150 x 56 x 34 [mm]
Net/gross weight	0,40kg / 0,46kg
Protection class EN 60950-1:2007	II (second)
Length of DC cable	0,5 m
Length of AC cable	0,3 m
Storage temperature	$-20^{\circ}C \dots +60^{\circ}C$

* In order to extend the life of the power supply, the load current of 3,5A is recommended.



Graph 1.
Relation between output current and ambient temperature (instantaneous load).

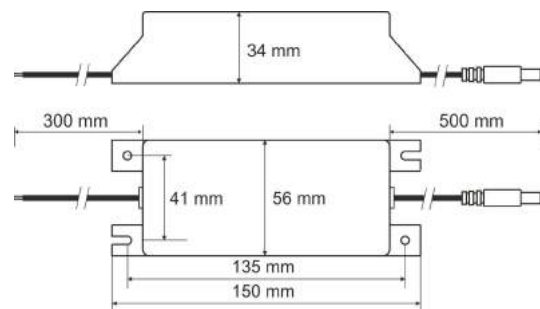


Fig.1 Dimension of power supply.