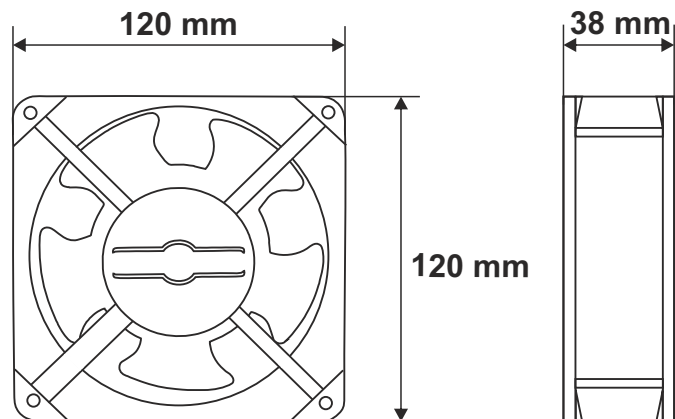


CODE: **RAW1** v1.0/III
 NAME: **Fan 1/230 for wall mounted cabinets type: RW, RWD**

EN



INTENDED USE

The fan is intended for mounting inside the top panel of a suspended RACK cabinet. It induces airflow inside the cabinet.

SPECIFICATIONS

Mounting dimensions:	W=105, H=105
External dimensions:	W=120, H=120, D=38 [mm, +/-2], L _z =2m
Net/gross weight:	0,7 / 0/8 [kg]
Materials:	- aluminium alloy, RAL 9004 - 1 fan 230VAC, air flowing 50+110CBM/H
Current consumption:	1x (230VAC / 50Hz, 14W)
Use:	inside
Notes:	- mounted from the inside, to the top panel of the RACK cabinet - 4 screws included - fixed network cable 230VAC, L _z =2m