

CODE: **ARADIN2** v.1.1/I

EN

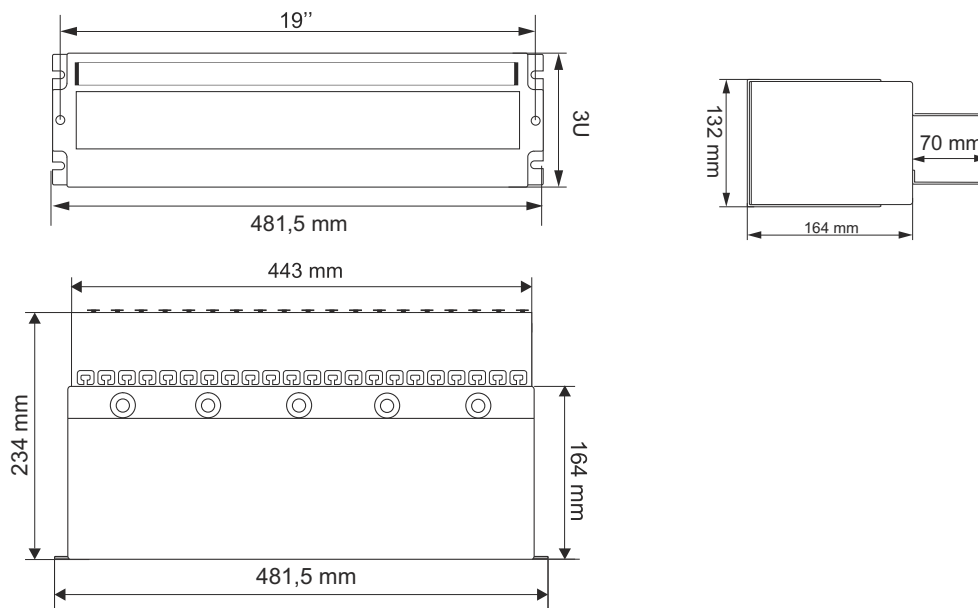
NAME: **Enclosure with a DIN rail for RACK cabinets, 24xS, 160mm deep**



Optional use:



Dimensions:



INTENDED USE

The enclosure with a DIN rail for RACK cabinets is intended for mounting equipment located inside DIN enclosures, for RACK 19" cabinets. The enclosure features a DIN rail, length: 24x1S. The height of the mounted module cannot exceed 160mm.

SPECIFICATIONS

Mounting dimensions:	RACK cabinet: W=19", H=3U	number of fuses: 24x1S
External dimensions:	W=481,5 , H=132, D=234 [mm, +/-2]	
Net/gross weight:	3,2 / 3,4 [kg]	
Materials:	bottom: sheet metal DC01, 1,0mm thick, RAL9005 + TH35 rail cantilever: sheet metal DC01, 0,7mm thick, RAL9005 + Plexiglas window	
Use:	inside, IP20	
Notes:	<ul style="list-style-type: none"> - six-point fixing to the front RACK rails - 6 M6 screws + cage nuts included - the enclosure features a labelling field, 420x20 - cable ducts in the top and bottom panel, 10 pcs - a mounting plate for a 7Ah/12V battery included 	
Certificates, declarations:	RoHS	