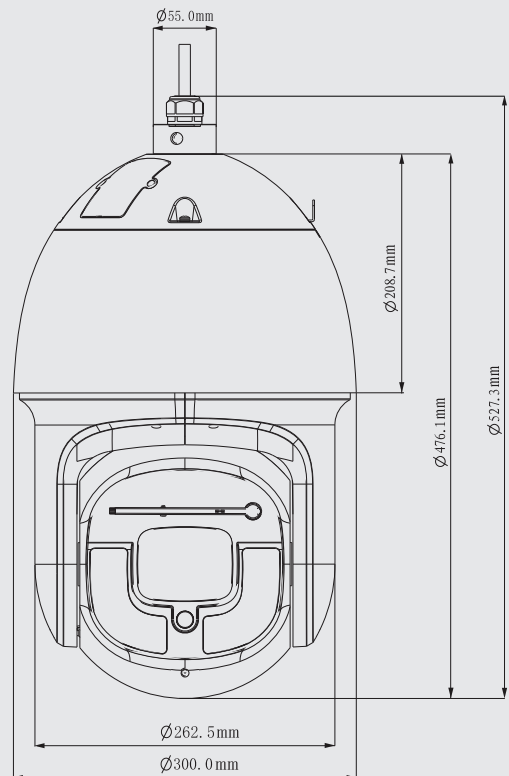




### FEATURES

- 1/1.9" 2Megapixel CMOS
- Powerful 48x optical zoom
- Starlight technology
- Max. 50/60fps@1080P
- Support Hi-PoE
- IR distance up to 450m
- IP67



# MT-IPA8200H2

## TECHNICAL SPECIFICATIONS

Camera	Image Sensor	1/1.9" CMOS	Video	Frame Rate	Main stream: 1080P/1.3M/720P(1~50/60fps) Sub stream1: D1/CIF(1 ~ 25/30fps) Sub stream2: 1080P/1.3M/720P (1 ~ 25/30fps)	
	Effective Pixels	1920(H) x 1080(V), 2 Megapixels			Bit Rate Control	CBR/VBR
	RAM/ROM	1024M/128M			Bit Rate	H.265/H.264: 448K~8192Kbps
	Scanning System	Progressive			Day/Night	Auto(ICR) / Color / B/W
	Electronic Shutter Speed	1/1s~1/30,000s			BLC Mode	BLC / HLC / WDR(120dB)
	Min. Illumination	Color: 0.001Lux@F1.4; B/W: 0.0001Lux@F1.4; 0Lux@F1.4 (IR on)			White Balance	Auto, ATW, Indoor, Outdoor, Manual
	S/N Ratio	More than 55dB			Gain Control	Auto/Manual
	IR Distance	Distance up to 450m (1476ft)			Noise Reduction	Ultra DNR (2D/3D)
	IR On/Off Control	Auto / Manual			Motion Detetion	Support
	IR LEDs	10			Region of Interest	Support
Lens	Smart Wiper	Support	Electronic Image Stabilization (EIS)	Support		
	Focal Length	5.7mm~275mm	Defog	Support		
	Max Aperture	F1.4~ F4.5	Digital zoom	16x		
	Angle of View	H: 64.55° ~ 1.5°	Flip	180°		
	Optical Zoom	48x	Privacy Masking	Up to 24 areas		
	Focus Control	Auto/Manual	Audio	Compression	G.711a/G.711Mu/AAC/G.722 / G.726/MPEG2-L2	
Close Focus Distance	10mm~ 1500mm	Network		Ethernet	RJ-45 (10Base-T/100Base-TX)	
DORI distance	Note: The DORI distance is a "general proximity" of distance which makes it easy to pinpoint the right camera for your needs. The DORI distance is calculated based on sensor specification and lab test result according to EN 62676-4 which defines the criteria for Detect, Observe, Recognize and Identify respectively.			Protocol	IPv4/IPv6, HTTP, HTTPS, SSL, TCP/IP, UDP, UPnP, ICMP, IGMP, SNMP, RTSP, RTP, SMTP, NTP, DHCP, DNS,PPPOE,DDNS,FTP, IP Filter,QoS,Bonjour,802.1x	
	Detect			2731m(8960ft)	Interoperability	ONVIF Profile S&G, API
	Observe		1092m(3583ft)	Streaming Method	Unicast / Multicast	
	Recognize	546m(1791ft)	Max. User Access	20 Users		
Lens	Identify	273m(896ft)	Edge Storage	NAS (Network Attached Storage),Local PC for instant recording, Micro SD card 256GB		
	Pan/Tilt Range	Pan: 0° ~ 360° endless; Tilt: -30° ~ 90°, auto flip 180°	Web Viewer	IE, Chrome, Firefox, Safari		
	Manual Control Speed	Pan: 0.1° ~200° /s; Tilt: 0.1° ~120° /s	Management Software	Smart PSS, DSS, DMSS		
	Preset Speed	Pan: 240° /s; Tilt: 200° /s	Smart Phone	IOS, Android		
	Presets	300	Certifications	CE: EN55032/EN55024/EN50130-4 FCC: Part15 subpartB,ANSI C63.4- 2014 UL: UL60950-1+CAN/CSA C22.2.No.60950-1		
	PTZ Mode	5 Pattern, 8 Tour, Auto Pan ,Auto Scan		Interface	Video Interface	1 port(BNC, 1.0V[p-p], 75Ω)
	Speed Setup	Human-oriented focal Length/ speed adaptation	RS485		1	
	Power up Action	Auto restore to previous PTZ and lens status after power failure	Audio I/O		1/1	
	Intelligence	Idle Motion	Activate Preset/ Scan/ Tour/ Pattern if there is no command in the specified period	Alarm I/O	7/2	
		Protocol	DH-SD, Pelco-P/D (Auto recognition)	Electrical	Power Supply	AC24V/5A(±25%), Hi-PoE
Event Trigger		Motion detection, Video tampering, Scene changing, Network disconnection, IP address conflict, Illegal Access, Storage anomaly	Power Consumption		24W, 38W (IR on, Heater on)	
			Auto Tracking	Support	Environmental	Operating Conditions
IVS	Tripwire, Intrusion, Abandoned/Missing	Construction	Ingress Protection	IP67		
Advanced Intelligent Functions	Face Detection, Heat Map		Casing	Metal		
Video	Compression		H.265+/H.265/H.264+/H.264	Dimensions	Φ300(mm) x 527.3(mm)	
	Streaming Capability	3 Streams	Net Weight	13kg(28.66lb)		
	Resolution	1080P(1920×1080)/1.3M(1280×960)/720P(1280× 720)/D1(704×576/704×480)/CIF(352×288/352×240)	Gross Weight	23.3kg(51.37lb)		

Datasheet rev.A18.8