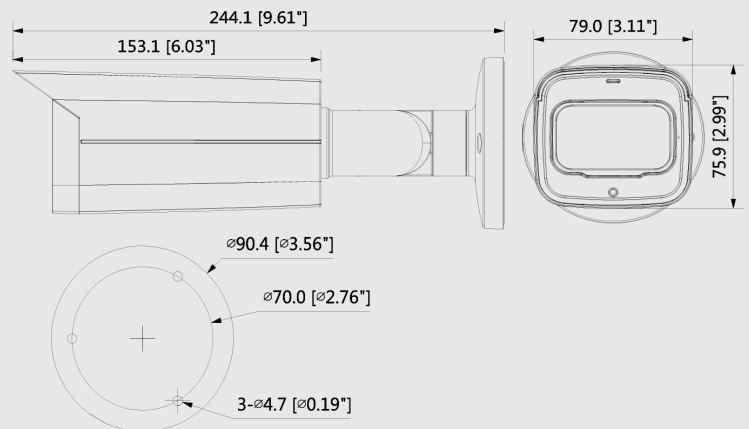


FEATURES

- Starlight, 120dB True WDR, 3DNR
- Max. 30fps@1080P
- HD/SD switchable
- Audio in interface, built-in mic
- 2.7-13.5mm motorized lens
- Max. IR length 80m, Smart IR
- IP67, DC12V±30%



Datasheet rev.A18.8



Accessories:

DT-MFA122
junction box



Accessories:

DT-FA135
junction box



Accessories:

DT-MFA152
pole mount

MT-HDCB2713HS

TECHNICAL SPECIFICATIONS

Camera	Image Sensor	1/2.8" CMOS		Interface	Audio Interface	1ch in & Built-in Mic
	Effective Pixels	1920(H)x1080(V), 2MP		Electrical	Power Supply	12V DC ±30%
	Scanning System	Progressive			Power Consumption	Max. 8.2W (12V DC, IR on)
	Electronic Shutter Speed	PAL: 1/4s~1/100,000s NTSC: 1/3s~1/100,000s		Environmental	Operating Conditions	-30°C ~ +60°C (-22°F ~ +140°F) / Less than 95% RH * Start up should be done at above -30°C (-22°F)
	Min. Illumination	0.004Lux/F1.6, 30IRE, 0Lux IR on				Storage Conditions
	S/N Ratio	More than 65dB			Ingress Protection	
	IR Distance	Up to 80m (262feet)				Construction
	IR On/Off Control	Auto / Manual		Dimensions	244.1mm×90.4mm×90.4mm (9.61"×3.56"×3.56")	
IR LEDs	4		Net Weight		0.76kg (1.68lb)	
				Gross Weight	1.02kg (2.25lb)	
Lens	Lens Type	Motorized lens / Fixed iris				
	Mount Type	Board-in				
	Focal Length	2.7-13.5mm				
	Max Aperture	F1.6				
	Angle of View	H: 108.7°~28.7°				
	Focus Control	Auto / Manual				
Pan/Tilt/Rotation Range	Close Focus Distance	200mm 7.87"				
		Pan: 0° ~ 360° Tilt: 0° ~ 90° Rotation: 0° ~ 360°				
Video	Resolution	1080P (1920×1080)				
	Frame Rate	25/30fps@1080P, 25/30/50/60fps@720P				
	Video Output	1-channel BNC high definition video output / CVBS video output (DIP switch)				
	Day/Night	Auto (ICR) / Manual				
	OSD Menu	Multi-language				
	BLC Mode	BLC / HLC / WDR				
	WDR	120dB				
	Gain Control	AGC				
	Noise Reduction	2D/3D				
	White Balance	Auto / Manual				
Video	Smart IR	Auto / Manual				
	Note: The DORI distance is a "general proximity" of distance which makes it easy to pinpoint the right camera for your needs. The DORI distance is calculated based on sensor specification and lab test result according to EN 62676-4 which defines the criteria for Detect, Observe, Recognize and Identify respectively.					
		DORI Definition	Distance			
			Wide	Tele		
	Detect	25px/m (8px/ft)	44m(144ft)	153m(502ft)		
	Observe	63px/m (19px/ft)	18m(59ft)	61m(200ft)		
Recognize	125px/m (38px/ft)	9m(30ft)	31m(102ft)			
Identify	250px/m (76px/ft)	4m(13ft)	15m(49ft)			
Certifications	CE (EN55032, EN55024, EN50130-4) FCC (CFR 47 FCC Part 15 subpartB, ANSI C63.4-2014) UL (UL60950-1+CAN/CSA C22.2 No.60950-1)					