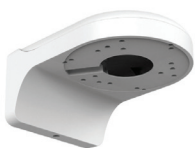
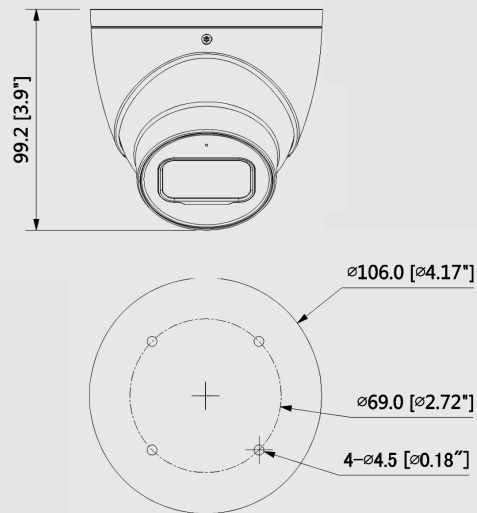




## FEATURES

- Starlight, 120dB true WDR, 3DNR
- Max. 20fps@5MP
- HD/SD output switchable
- Audio in interface, built-in mic
- 3.6mm fixed lens (2.8mm, 6mm optional)
- Max. IR length 50m, Smart IR
- IP67, DC12V±30%



Accessories:

**FB200**  
wall mount bracket



**DT-MFA152**  
pole mount

# MT-HDCD36AHS

## TECHNICAL SPECIFICATIONS

Camera	Image Sensor	1/2.8" CMOS
	Effective Pixels	2592(H)x1944(V), 5MP
	Scanning System	Progressive
	Electronic Shutter Speed	PAL: 1/4s~1/100,000s NTSC: 1/3s~1/100,000s
	Min. Illumination	0.005Lux/F1.6, 30IRE, 0Lux IR on
	S/N Ratio	More than 65dB
	IR Distance	Up to 50m (164feet)
	IR On/Off Control	Auto / Manual
IR LEDs	2	
Lens	Lens Type	Fixed lens / Fixed iris
	Mount Type	Board-in
	Focal Length	3.6mm (2.8mm, 6mm Optional)
	Max Aperture	F1.6
	Angle of View	H: 79° (98°/49.5°)
	Focus Control	Auto / Manual
Close Focus Distance	1300mm (800mm, 3000mm) 51.2" (31.5", 118")	
Pan/Tilt/Rotation Range		Pan: 0° ~ 360° Tilt: 0° ~ 78° Rotation: 0° ~ 360°
Video	Resolution	5MP (2592×1944)
	Frame Rate	20fps@5MP, 25/30fps@4MP, 25/30fps@1080P
	Video Output	1-channel BNC high definition video output / CVBS video output (DIP switch)
	Day/Night	Auto (ICR) / Manual
	OSD Menu	Multi-language
	BLC Mode	BLC / HLC / WDR
	WDR	120dB
	Gain Control	AGC
	Noise Reduction	2D/3D
	White Balance	Auto / Manual
	Smart IR	Auto / Manual

DORI Distance	Note: The DORI distance is a "general proximity" of distance which makes it easy to pinpoint the right camera for your needs. The DORI distance is calculated based on sensor specification and lab test result according to EN 62676-4 which defines the criteria for Detect, Observe, Recognize and Identify respectively.																
		<table border="1"> <thead> <tr> <th></th> <th>DORI Definition</th> <th>Distance</th> </tr> </thead> <tbody> <tr> <td rowspan="3">Detect</td> <td>25px/m (8px/ft)</td> <td>2.8mm:56m(184ft) 3.6mm:72m(236ft) 6mm:120m(394ft)</td> </tr> <tr> <td rowspan="3">Observe</td> <td>63px/m (19px/ft)</td> <td>2.8mm:22m(72ft) 3.6mm:29m(95ft) 6mm:48m(157ft)</td> </tr> <tr> <td rowspan="3">Recognize</td> <td>125px/m (38px/ft)</td> <td>2.8mm:11m(36ft) 3.6mm:14m(46ft) 6mm:24m(79ft)</td> </tr> <tr> <td rowspan="3">Identify</td> <td>250px/m (76px/ft)</td> <td>2.8mm:6m(20ft) 3.6mm:7m(23ft) 6mm:12m(39ft)</td> </tr> </tbody> </table>		DORI Definition	Distance	Detect	25px/m (8px/ft)	2.8mm:56m(184ft) 3.6mm:72m(236ft) 6mm:120m(394ft)	Observe	63px/m (19px/ft)	2.8mm:22m(72ft) 3.6mm:29m(95ft) 6mm:48m(157ft)	Recognize	125px/m (38px/ft)	2.8mm:11m(36ft) 3.6mm:14m(46ft) 6mm:24m(79ft)	Identify	250px/m (76px/ft)	2.8mm:6m(20ft) 3.6mm:7m(23ft) 6mm:12m(39ft)
		DORI Definition	Distance														
	Detect	25px/m (8px/ft)	2.8mm:56m(184ft) 3.6mm:72m(236ft) 6mm:120m(394ft)														
		Observe	63px/m (19px/ft)	2.8mm:22m(72ft) 3.6mm:29m(95ft) 6mm:48m(157ft)													
Recognize			125px/m (38px/ft)	2.8mm:11m(36ft) 3.6mm:14m(46ft) 6mm:24m(79ft)													
	Identify		250px/m (76px/ft)	2.8mm:6m(20ft) 3.6mm:7m(23ft) 6mm:12m(39ft)													
		<b>Certifications</b> CE (EN55032, EN55024, EN50130-4) FCC (CFR 47 FCC Part 15 subpartB, ANSI C63.4-2014) UL (UL60950-1+CAN/CSA C22.2 No.60950-1)															
<b>Interface</b>		<b>Audio Interface</b> 1ch in & Built-in Mic															
<b>Electrical</b>	<b>Power Supply</b> 12V DC ±30%																
	<b>Power Consumption</b> Max. 7W (12V DC, IR on)																
<b>Environmental</b>	<b>Operating Conditions</b> -40°C ~ +60°C (-40°F ~ +140°F) / Less than 90% RH * Start up should be done at above -40°C (-40°F)																
	<b>Storage Conditions</b> -40°C ~ +60°C (-40°F ~ +140°F) / Less than 90% RH																
	<b>Ingress Protection</b> IP67																
<b>Construction</b>	<b>Casing</b> Aluminium																
	<b>Dimensions</b> Φ106mm×99.2mm (Φ4.17"×3.9")																
	<b>Net Weight</b> 0.48kg (1.56lb)																
	<b>Gross Weight</b> 0.63kg (1.39lb)																

Datasheet rev.A18.12