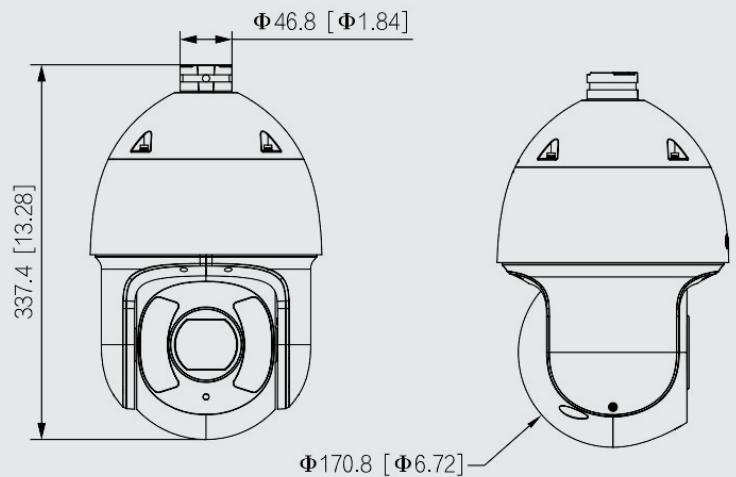


CCTV



**FEATURES**

- 1/2.8" 4 Megapixel
- Powerful 45x optical zoom
- Starlight technology
- Max. 25/30fps@4MP
- Deep-learning-based auto tracking and perimeter protection
- Face detection
- Ai Plus
- IR distance up to 250m
- IP67 , IK10



Datasheet rev.A22.2

# MT-IPA588IR45

## TECHNICAL SPECIFICATIONS

Camera	Image Sensor	1/2.8" STARVIS™ CMOS	Video	Compression	H.265+/H.265/H.264+/H.264/MJPEG(Sub Stream)
	Pixels	4MP		Streaming Capability	3 Streams
	Max. Resolution	2560 (H) × 1440 (V)		Resolution	4M (2560×1440)/3M (2048×1536)/1080p(1920×1080)/720p(1280×720)/D1 (704×576/704×480)/CIF (352×288/352×240)
	Scanning System	Progressive		Frame Rate	Main stream: 4M/3M (1–25/30 fps), 1080p/1.3M/ 720p (1–25/30 fps) Sub stream1: D1/CIF (1–25/30 fps) Sub stream2: 1080p (1–25/30 fps), 720p (1–25/30 fps)
	Electronic Shutter Speed	1/1 s–1/30,000 s		Bit Rate Control	CBR/VBR
	Minimum Illumination	Color: 0.005 Lux@F1.6; B/W: 0.0005 Lux@F1.6; 0 Lux@F1.6 (IR on)		Bit Rate	H.265/H.264: 3 Kbps–20,480 Kbps
	Illumination Distance	Distance up to 250 m (820 ft)		Day/Night	Auto (ICR) / Color / B/W
	Illumination On/Off Control	Auto/Manual		BLC	Support
Lens	Illuminator Number	6	WDR	120 dB	
	Focal Length	3.95 mm–177.75 mm	HLC	Support	
	Max Aperture	F1.6–F4.95F1.9	White Balance	Auto, ATW, Indoor, Outdoor, Manual	
	Angle of View	H: 70.3°–1.8°; V: 37°–1°; D: 69.3°–2°	Gain Control	Auto / Manual	
	Optical zoom	45x	Noise Reduction	Ultra DNR (2D/3D)	
	Focus Control	Auto/Manual	Motion Detetion	Support	
	Iris Control	Auto/Manual	Region of Interest	Support	
DORI distance	Close Focus Distance	10 mm–3,000 mm	Image Stabilization	Electronic	
	Detect	3176 m (10420 ft)	Defog	Support	
	Observe	1271 m (4170 ft)	Digital Zoom	16x	
	Recognize	635 m (2083 ft)	Flip	180°	
PTZ	Identify	318 m (1043 ft)	Privacy Masking	Up to 24 areas	
	Pan/Tilt Range	Pan: 0°–360° endless; Tilt: -20°–90°, auto flip 180°	Audio	Compression	G.711a/G.711Mu/AAC/G.722 / G.726/G.729/MPEG2-L2
	Manual Control Speed	Pan: 0.1°–260° /s; Tilt: 0.1°–120° /s	Network	Ethernet	RJ-45 (10Base-T/100Base-TX)
	Preset Speed	Pan: 300° /s; Tilt: 200° /s		Protocol	IPv4/IPv6, HTTP, HTTPS, SSL, TCP/IP, UDP, UPnP, ICMP, IGMP, SNMPv1/v2c/v3(MIB-2), ARP, RTCP, RTSP, RTMP, RTP, SMTP, NTP, DHCP, DNS, PPPOE-, DDNS, FTP, IP Filter, QoS, -Bonjour, 802.1x
	Preset	300		Interoperability	ONVIF Profile S&G&T, API
	Tour	8 (up to 32 presets per tour)		Streaming Method	Unicast/Multicast
	Pattern	5		User/Host	20 Users
	Pan	5		Storage	NAS (Network Attached Storage), Local PC for instant recording, Micro SD card 256GB
	Power up Action	Auto restore to previous PTZ and lens status after power failure		Browser	IE, Chrome, Firefox, Safari
	Idle Motion	Activate Preset/ Scan/ Tour/ Pattern if there is no command in the specified period		Management Software	Smart PSS, DSS, DMSS
Protocol	MT-SD, Pelco-P/D (Auto recognition)	Smart Phone		Android, IOS	
Artificial Intelligence	Perimeter Protection	Tripwire, Intrusion. Support alarm triggering by target types(human and vehicle) Filtering out false alarms caused by animals, rustling leaves, bright lights, etc		Certification	CE: EN55032/EN55024/EN50130-4 FCC: Part15 subpartB,ANSI C63.4- 2014
	Auto Tracking	Support	Port	RS485	1
	Video Structuralization	Support human, motor vehicle and non-motor vehicle image capture		Audio I/O	1 (Line in; bare wire)/1 (Line out; bare wire)
	SMD Plus	Support		Alarm I/O	7/2
General Intelligence	Face Detection	Support	Power	Power Supply	DC 24 V/2.5 A ± 25%; PoE-(802.3at)
	Event Trigger	Motion detection, Video tampering, Scene changing, Network disconnection, IP address conflict, Illegal Access, Storage anomaly		Power Consumption	13 W, 26 W (IR On, Heater On)
	General Intelligence	Object Abandoned/Missing	Environment	Operating Conditions	-40 °C to 70 °C (-40 °F to +158°F) / Less than 95% RH
Construction			Construction	Protection	IP67, IK10
				Casing	Metal
				Dimensions	φ209 × 337.4 mm
				Net Weight	5.9 kg (13 lb)
			Cross Weight	9.6 kg (21.16 lb)	

Datasheet rev.A22.2