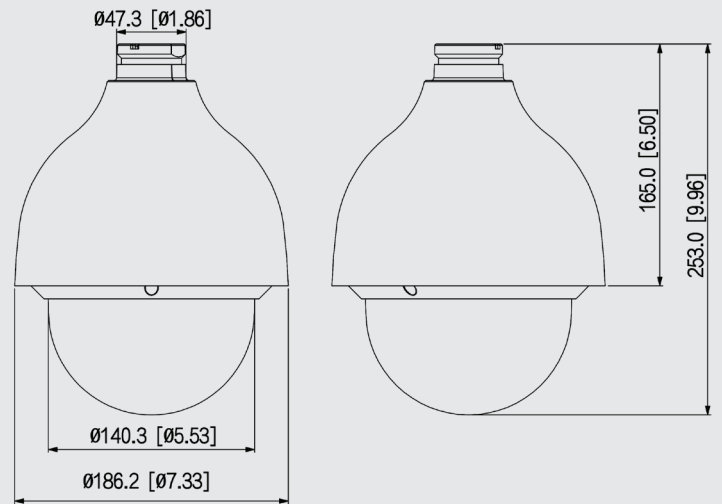




FEATURES

- 1/2.8" 2 Megapixel Starlight CMOS
- Powerful 25x optical zoom
- Starlight technology
- 120dB true WDR, 3D DNR
- Max. 25/30 fps@1080P, 25/30/50/60 fps@720P
- IP67, IK10



MT-CVIA630HNS

TECHNICAL SPECIFICATIONS

Camera	Image Sensor	1/2.8" STARVIS™ CMOS	
	Pixel	2MP	
	Max. Resolution	1920 (H) x 1080 (V)	
	ROM	16 MB	
	RAM	256 MB	
	Scanning System	Progressive	
	Electronic Shutter Speed	1/3 s–1/100000 s	
Min. Illumination	Color: 0.005 Lux@F1.6 B/W: 0.0005 Lux@F1.6		
Lens	Focal Length	4.8 mm–120 mm	
	Max. Aperture	F1.6–F3.5	
	Field of View	H: 58.5°–2.8°; V: 33.2°–1.5°; D: 67.5°–3.2°	
	Optical Zoom	25x	
	Focus Control	Auto/Semi-Auto/Manual	
	Iris Type	Auto/Manual	
	Close Focus Distance	0.1 m–1.5 m (0.33 ft–4.92 ft)	
	DORI Distance Lens 2.8 mm	Detect	1655 m (5429.79 ft)
		Observe	654 m (2145.67 ft)
		Recognize	331 m (1085.96 ft)
Identify		165 m (541.34 ft)	
PTZ	Pan/Tilt Range	Pan: 0° ~ 360° endless; Tilt: 0° ~ 90°, auto flip 180°	
	Manual Control Speed	Pan: 0.1°–350°/s; Tilt: 0.1°–250°/s	
	Preset Speed	Pan: 500°/s; Tilt: 500°/s	
	Presets	300	
	Tour	8 (up to 32 presets per tour)	
	Pattern	5	
	Scan	5	
	Speed Adjustment Software	Support	
	Power-off Memory	Support	
	Idle Motion	Support	
	Protocol	MT-SD Pelco-P/D (auto recognition)	

Video	Resolution	1080P (1920 × 1080); 720P (1280 × 720); D1 (704 × 576/704 × 480)	
	Frame Rate	1080P (25/30 fps); 720P (25/30/50/60 fps)	
	CVI Product Output Mode	CVI; TVI; AHD; CVBS	
	Day/Night	Support	
	BLC	Support	
	HLC	Support	
	WDR	120 dB	
	White Balance	Auto/Indoor/Outdoor/Tracking/ Manual/Sodium lamp/Natural/ Street lamp	
	Gain Control	Auto/Manual	
	Noise Reduction	2D/3D	
	Defog	Electronic	
	Digital Zoom	16x	
	Flip	0°/180°	
	Privacy Masking	Up to 24 areas	
Audio	Compression	G.711a; G.711Mu	
Certification	CE: EN55032/EN55024/EN50130-4 FCC: Part15 subpartB, ANSI C63.4-2014 UL62368-1+CAN/CSA C22.2.No. 62368-1		
Port	Analog Output	1 (CVBS/CVI output, BNC port)	
	RS-485	1 (baud rate range: 1200 bps–9600 bps)	
	Audio Input	1 (LINE IN; bare wire)	
	Alarm I/O	2/1	
Power	Power Supply	DC 24V/2.5A ± 25%	
	Power Consumption	Basic: 15.5W Max: 18.5W (fan enabled, PTZ rotating)	
Environment	Operating Temperature	-40°C ~ 60°C (-40°F ~ +140°F)	
	Operating Humidity	≤ 95%RH	
	Protection	IP67; IK10; TVS 6000V lightning protection; surge protection	
Structure	Dimensions	253.0 mm × Φ186.2 mm (9.96" × Φ7.33")	
	Net Weight	2.5 kg (5.51 lb)	
	Gross Weight	4.5 kg (9.92 lb)	

Datasheet rev.A22.6