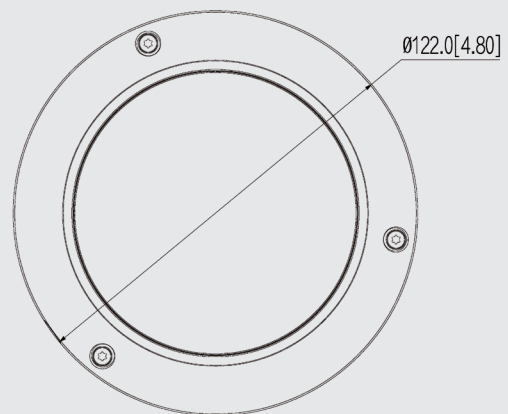
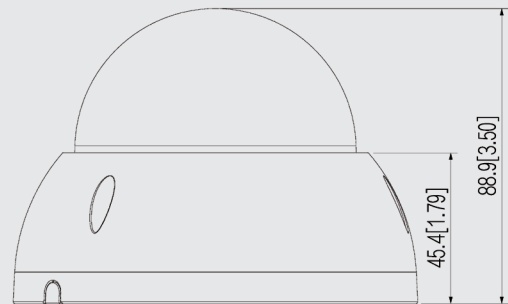




FEATURES

- 1/2.8" CMOS.
- Powerful 4x optical zoom.
- Max. 25/30fps@1080P.
- Max 100°/s pan speed.
- Supports face detection.
- Support PoE.
- IP66, IK10.
- Ai SMD 3.0.
- 6000V lightning-proof



MT-IPSD2200AI

TECHNICAL SPECIFICATIONS

Camera	Image Sensor	1/2.8" CMOS		
	Pixels	2 MP		
	Max. Resolution	1920 (H) × 1080 (V)		
	ROM	128 MB		
	RAM	256 MB		
	Electronic Shutter Speed	1/1s~1/30,000s		
	Scanning System	Progressive		
	Minimum Illumination	Color: 0.005 lux@F1.6 B/W: 0.0005 lux@F1.6		
Lens	Focal Length	2.8 mm–12 mm		
	Max. Aperture	F1.6–F3.0		
	Field of View	H: 99.1°–31.9°; V: 53.4°–18.0°; D: 117.7°–36.6°		
	Optical Zoom	4x		
	Focus Control	Auto; semi-auto; manual		
	Close Focus Distance	1.5 m (4.92 ft)		
	DORI Distance	Detect	165.5 m (542.98 ft)	
		Observe	65.4 m (214.57 ft)	
Recognize		33.1 m (108.60 ft)		
Identify		16.6 m (54.46 ft)		
PTZ	Pan/Tilt Range	Pan: 0° to 355° Tilt: 0° to +90°		
	Manual Control Speed	Pan: 0.1°/s–100°/s Tilt: 0.1°/s–60°/s		
	Preset Speed	Pan: 100°/s; Tilt: 60°/s		
	Preset	300		
	PTZ Mode	8 Tour(up to 32 preset per tour)		
	Pattern	5		
	Idle Motion	Pattern; Preset; Tour		
	PTZ Protocol	MT Pelco-P/D(Auto recognition)		
Intelligence	IVS (Perimeter Protection)	Tripwire; intrusion; crossing fence detection; loitering detection; abandoned/missing object; fast moving; parking detection; people gathering; vehicle/human alarm classification		
	Advanced Intelligent Functions	Supports face detection, face track, snapshot, and face enhancement; Supports face cutout: Face, one-inch photo; Capturing strategies include real-time capturing and quality first.		
	SMD	Yes		
	Video	Video Compression	H.264H; H.264B; Smart H.265+; H.264; H.265; MJPEG(Sub Stream); Smart H.264+	
Streaming Capability		3 Streams		
Resolution		1080p (1920 × 1080); 1.3M (1280 × 960); 720p (1280 × 720); D1 (704 × 576); CIF (352 × 288); VGA (640 × 480)		
Video Frame Rate		Main stream: 1080p/1.3M/720p@(1–25/30 fps)		
		Sub stream 1: D1/VGA/CIF@(1–25/30 fps)		
		Sub stream 2: 1080p/1.3M/720p@(1–25/30 fps)		
Video	Bit Rate Control	CBR/VBR		
	Video Bit Rate	H.264: 2048 kbps–8192 kbps H.265: 768 kbps–6400 kbps		
	Day/Night	Auto (ICR) / Color / B/W		
	BLC	Yes		
	WDR	DWDR		
	HLC	Yes		
	White Balance	Auto; indoor; outdoor; ATW; manual; sodium lamp; natural light; street lamp		
	Gain Control	Auto / Manual		
	Noise Reduction	2D NR; 3D NR		
	Motion Detetion	Yes		
	Region of Interest (Rol)	Yes		
	Image Stabilization	Yes		
	Defog	Electronic defog		
	Digital Zoom	16x		
	Image Rotation	180°		
	S/N Ratio	≥ 55 dB		
Network	Network Ethernet	RJ-45 (10/100 Base-T)		
	Network Protocol	HTTP; HTTPS; TCP/IP; IPv4; RTSP; UDP; SMTP; NTP; DHCP; DNS; DDNS; IPv6; 802.1x; SSL; Qos; FTP; UPnP; ICMP; SNMP; IGMP; ARP; RTCP; RTP; PPPoE; RTMP; Bonjour; SAMBA; NFS		
	Interoperability	ONVIF(Profile S&G&T); P2P; CGI; SDK		
	Streaming Method	Unicast/Multicast		
	User/Host	20 (total bandwidth: 64 M)		
	Storage	FTP; Micro SD card (512 GB); NAS		
	Browser	IE 9 and later versions Chrome 41 and later versions Firefox 50 and later versions IOS 10 and later versions.		
	Management Software	DSS; DMSS		
	Smart Phone	IOS, Android		
	Certification	CE: CE-LVD: IEC 62368-1/ CE-EMC/EN 55032/EN IEC 61000-3-2/EN55024/EN55035/EN50130-4 FCC: 47 CFR FCC Part15, Subpart B, ANSI C63.4:2014		
Port	Alarm Linkage	Capture; preset; tour; pattern; recordings on SD card; alarm digital input; send email		
	Alarm Event	Motion/Tampering detection; network disconnection detection; IP conflict detection; memory card state detection; memory space detection; power exception detection		
Power	Power Supply	12 VDC, 1 A ± 10% POE (802.3af)		
	Power Consumption	Basic: 2.3 W Max.: 6.1 W		
Environment	Operating Temperature	–30 °C to +60 °C (–22 °F to +140 °F)		
	Operating Humidity	≤ 95%		
	Storage Temperature	–30 °C to +60 °C (–22 °F to +140 °F)		
	Storage Humidity	≤ 95%		
	Protection	IP66, IK10		
Structure	Product Dimensions	89 mm × Φ122 mm (3.50" × Φ4.80")		
	Net Weight	0.5 kg (1.10 lb)		
	Cross Weight	0.7 kg (1.54 lb)		

Datasheet rev.A23.9