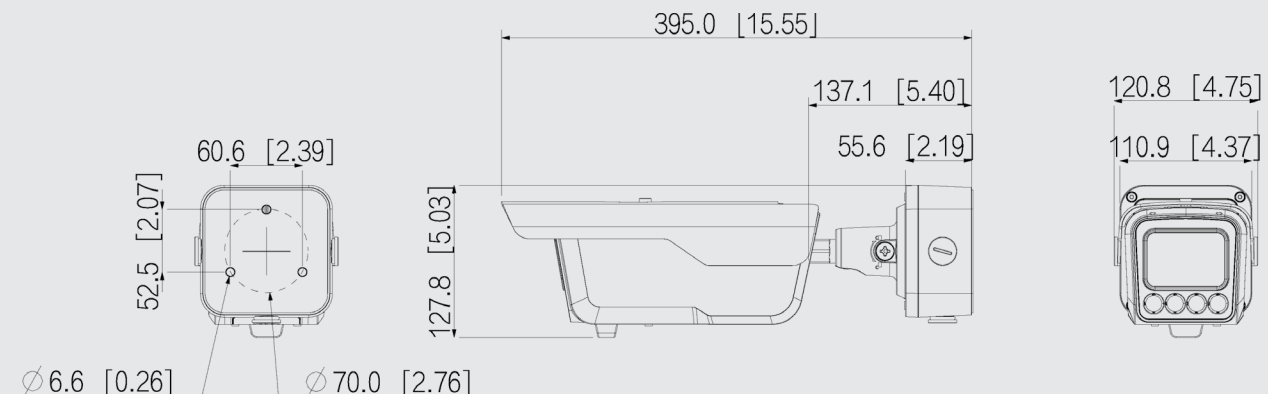




FEATURES

- High-performance CMOS image sensor and processor that supports continuously extracting metadata 24/7.
- Adopts intelligent deep learning algorithms and supports recognition of unlicensed vehicles and the type, brand and color of vehicles.
- Built-in signal port, data port, communication port and remote controllers assist in controlling external devices such as entry and exit barriers.
- Built-in LED for simplified installation and commissioning.
- All-in-one structure with junction box and bracket, and it is also low power consumption.
- IP67 and IK10 rated.
- Supports intrusion and loitering detection and triggers light and voice alarms when perimeter events occur to actively deter targets. Custom audios can also be imported and edited.
- Easily adapts to scenarios through its motorized vari-focal lens.



MT-PRC413W4

TECHNICAL SPECIFICATIONS

Camera	Image Sensor	1/1.8" CMOS		
	Image Resolution	2688 × 1520		
	ROM	4 GB		
	RAM	1 GB		
	S/N Ratio	>56 dB		
	Scanning System	progressive scanning		
	Electronic Shutter Speed	Auto/Manual 1/25 s–1/100,000 s		
	Min. Illumination	MT-PRC413W4-Z1, MT-PRC413W4-IZ1: 0.001 Lux@F1.4 (Color, 30 IRE) 0.0002 Lux@F1.4 (B/W, 30 IRE) 0 Lux (Illuminator on) MT-PRC413W4-Z3, MT-PRC413W4-IZ3: 0.001 Lux@F1.6 (Color, 30 IRE) 0.0002 Lux@F1.6 (B/W, 30 IRE) 0 Lux (Illuminator on)		
	Max. Detection Speed	MT-PRC413W4-Z1, MT-PRC413W4-IZ1: 80 km/h MT-PRC413W4-Z3, MT-PRC413W4-IZ3: 120 km/h		
Lens	Focal Length	MT-PRC413W4-Z1, MT-PRC413W4-IZ1: 2.7 mm–12 mm MT-PRC413W4-Z3, MT-PRC413W4-IZ3: 8 mm–32 mm		
	Field of View	MT-PRC413W4-Z1, MT-PRC413W4-IZ1: H: 92° (W)-46.1° (T) V: 49° (W)-26.0° (T) D: 109° (W)-52.8° (T) MT-PRC413W4-Z3, MT-PRC413W4-IZ3: H: 39.9° (W)-15.1° (T) V: 21.8° (W)-8.5° (T) D: 46.6° (W)-17.4° (T)		
	Focus Control	Auto, area focus, manual		
	Number of Lens	1		
	Lens Type	MT-PRC413W4-Z1, MT-PRC413W4-IZ1: 1.4 MT-PRC413W4-Z3, MT-PRC413W4-IZ3: 1.6		
	Iris Control	MT-PRC413W4-Z1, MT-PRC413W4-IZ1: DC-Iris MT-PRC413W4-Z3, MT-PRC413W4-IZ3: P-Iris		
	DORI Distance MT-PRC413W4-Z1, MT-PRC413W4-IZ1	Lens	W	T
		Detect	60.4 m (198.16 ft)	128.7 m (422.24 ft)
		Observe	24.2 m (79.40 ft)	51.5 m (168.96 ft)
		Recognize	12.1 m (39.70 ft)	25.7 m (84.32 ft)
DORI Distance MT-PRC413W4-Z3, MT-PRC413W4-IZ3:	Lens	W	T	
	Detect	160.0 m (524.93 ft)	406.9 m (1334.97 ft)	
	Observe	64.0 m (209.97 ft)	162.8 m (534.12 ft)	
	Recognize	32.0 m (104.99 ft)	81.4 m (267.06 ft)	
	Lens	W	T	
	Detect	16.0 m (52.49 ft)	40.7 m (133.53 ft)	
	Observe	6.4 m (20.99 ft)	16.28 m (53.41 ft)	
	Recognize	3.2 m (10.49 ft)	8.14 m (26.70 ft)	
Illuminator	Illuminator Number	4		
	Illuminator On/Off Control	Auto/Manual		
	Illuminator Type	MT-PRC413W4-Z1, MT-PRC413W4-IZ1: IR (850 nm) MT-PRC413W4-Z3, MT-PRC413W4-IZ3: Dual Illuminators (730 nm IR/warm light)		
	Illumination Distance	MT-PRC413W4-Z1, MT-PRC413W4-IZ1: ANPR: 10 m (32.81 ft) Video monitoring: 30 m (98.43 ft) MT-PRC413W4-Z3, MT-PRC413W4-IZ3: ANPR: 30 m (98.43 ft) Video monitoring: 60 m (196.85 ft)		
Illuminator	Smart Illumination	According to the brightness of the environment, the camera automatically adjusts the intensity of its light to reveal the details of moving targets. Devices with warm light can automatically adjust the light intensity according to the time.		
	Infrared Wavelength	MT-PRC413W4-Z1, MT-PRC413W4-IZ1: 850 nm MT-PRC413W4-Z3, MT-PRC413W4-IZ3: 730 nm		
Video	Video Resolution	Main stream: 4M (2688×1520)/1080p (1920×1080)/720p (1280×720) Sub stream: 720p (1280×720)/960H (960×576, 960×480)/D1 (704×576, 704×480)/CIF (352×288, 352×240)		
	Stream	PAL: Main stream (2688×1520@25 fps, 1920×1080@25 fps, 1280×720@25 fps), Sub stream (1280×720@25 fps, 960×576@25 fps, 704×576@25 fps, 352×288@25 fps); NTSC: Main stream (2688×1520@30 fps, 1920×1080@30 fps, 1280×720@30 fps), Sub stream (1280×720@30 fps, 960×480@30 fps, 704×408@30 fps, 352×240@30 fps)		
	Video Compression	H.264H; H.264B; H.264M by default; H.265; MJPEG; H.264M		
	Video Bit Rate	H.264B: 2,179 kbps-13,074 kbps H.264M: 2,179 kbps-13,074 kbps H.264H: 2,179 kbps-13,074 kbps H.265: 2,179 kbps-13,074 kbps MJPEG: 6,537 kbps-39,223 kbps		
	Scene Self-adaptation (SSA)	Yes		
	Gain Control	Manual; Auto		
	Noise Reduction	3D NR		
	Region of Interest (RoI)	Yes, 3		
	Image Tampering Prevention	Yes. Watermarks can be added to videos and images. The watermark can also be verified.		
	Bit Rate Control	CBR; VBR		
Audio	Audio Port	Yes		
	Built-in MIC	Yes; Pick-up distance: 3 m (9.84 ft), Sampling Rate: 48 k.		
	Built-in Speaker	Yes; Power: 2 W		

MT-PRC413W4

TECHNICAL SPECIFICATIONS

Function	Storage	Built-in TF card port. Supports Kingston 16 G, 32 G, 128 G, 256 G; Mtechnology card 16 G, 32 G, 128 G, 256 G; SanDisk 16 G, 32 G, 128 G, 256 G
	Restricted List/Trusted List	Allowlist: 110,000 Blocklist: 110,000
	IVS	Intrusion detection, loitering detection, up to 4 areas can be set.
	Basic Event	Alarms for events of defocus, no storage card, storage card no space, storage card error, network disconnection, IP conflict, and illegal access.
	Sound and Light Alarm	Yes, blue & red indicator, and supports broadcasting custom audio.
	Alarm Linkage	Upload to FTP/Memory card, notify monitoring center, send e-mail, trigger alert output, snapshot and active deterrence
	Capture Distance	MT-PRC413W4-Z1, MT-PRC413W4-IZ1: 3 m–8 m (9.84 ft–26.25 ft) MT-PRC413W4-Z3, MT-PRC413W4-IZ3: 8 m–30 m (26.25 ft–98.43 ft)
	Detected Width	MT-PRC413W4-Z1, MT-PRC413W4-IZ1: 3 m–4 m (9.84 ft–13.12 ft) MT-PRC413W4-Z3, MT-PRC413W4-IZ3: 6 m–8 m (19.69 ft–26.25 ft)
Network	Network Protocol	HTTP; Https; 802.1x; TCP; ARP; RTSP; RTP; UDP; RTCP; SMTP; FTP; DHCP; DNS; IPv4/v6; NTP; SFTP; DDNS; SNMP; PPPoE
	API	Yes
	SDK	Yes
	Interoperability	ONVIF (Profile S/Profile T); CGI; ITSAPI; P2P
	Browser	Plug in: IE 9, 10, 11. Chrome 52 and earlier versions Firefox 42 and earlier versions No plug in: Chrome 92 and later versions
	Management Software	DSS Pro; DSS Express; Cybercity; Smart PSS
	Security	Username and password; MAC address; HTTPS; IEEE 802.1x; network access control
Port	Audio Output	1 channel (RCA port)
	Network Port	RJ-45 (10/100/1000 self-adaptive Ethernet Port)
	Alarm Input	2, optocoupler input (wet node on-off value: 5 V)
	Alarm Output	2, relay output (2A 30 VDC/0.5A 125 VAC), which can connect to devices such as barriers
	RS-485	2 (half duplex, Transparent, DHRS, Push Data through Serial Port)
	Reset Button	Yes
	Wiegand	1 channel, SHA-1 26 bit
Performance	Maximum Number of Passed Vehicles	1000
	Max. Number of Connections	10
Image	Image Encoding Format	JPEG
	Image Setting	Basic: 1.9 W (12 V DC); 2.4 W (PoE) Max. (ICR + H.265 + max. resolution + main stream + IR intensity + WDR + IVS): 4.5 W (12 V DC); 5.4 W (PoE)
	Day/Night	Yes
	WDR	140 dB
	HLC	Yes
	BLC	Yes
	White Balance	Auto; Regional Custom; Manual; Outdoor; Natural; Street Lamp
	Digital Detail Enhancement (DDE)	Yes
	OSD Overlay	Supports overlay of time; address (position of channel), lane (number/direction), plate (number and color), vehicle (speed, color, type)
	General	Remote Control
Communication Band		433 MHz; 868 MHz
Remote Control Distance		15 m (49.21 ft) (In an open, undisturbed environment)
Power Supply		12 VDC, 2 A and POE: 802.3at, Type 2, Class 4, (44V to 57V), 0.455A to 0.351A, -max. 20W
Power Consumption		Power consumption in different conditions: No lighting < 6 W Lighting < 12 W Speaker and Red/Blue Light Warning on < 17 W
Protection		IK10; IP67
Material		Aluminum alloy body+Plastic
Product Dimensions		395.0 mm × 120.8 mm × 127.8 mm (15.55" × 4.76" × 5.03") (L × W × H)
Packaging Dimensions		447.0 mm × 240.0 mm × 233.0 mm (17.60" × 9.45" × 9.17")
Net Weight		2.3 kg (5.07 lb)
Gross Weight		3.2 kg (7.05 lb)
Storage Humidity		-40 °C to +70 °C (-40 °F to +158 °F)
Storage Temperature		≤ 95% (non-condensing)
Operating Temperature	-30 °C to +65 °C (-22 °F to +149 °F)	
Operating Humidity	10%–90% (non-condensing)	
Certifications	CE-EMC; CE-LVD; CE-RED; FCC	

Datasheet rev.A24.02

TECHNICAL SPECIFICATIONS

Intelligence	AI Recognition	Recognizes vehicle types, vehicle signs, vehicle color, vehicle plate, plate, vehicle without plate.	Country and Region Supported by ANPR Baseline support: GCC (U.A.E., Saudi Arabia, Morocco, Oman, Iraq, Egypt, Jordan, Qatar, Kuwait, Bahrain, Lebanon) Europe (Netherlands, France, Germany, Britain, Italy, Poland, Belgium, Bulgaria, Serbia, Slovakia, Spain, Denmark, Turkey, Israel, Czech Republic, Bosnia and Herzegovina, Switzerland, Austria, Hungary, Romania, Lithuania, Latvia, Sweden, Estonia, Portugal, Greece, Slovenia, Luxembourg, Palestine, Lebanon, Ireland, Finland, Norway, Croatia, North Macedonia) Russian-speaking regions (Russia, Ukraine, Kyrgyzstan, Uzbekistan, Moldova, Lithuania, Latvia, Georgia, Azerbaijan, Turkmenistan) SADC (Uruguay, Paraguay, Brazil, Argentina, Chile, Colombia, Peru, Ecuador, Guyana) North America (United States, Canada) Can be customized: Mongolia, Japan, Philippines, Vietnam, Laos, Cambodia, Myanmar, Thailand, Malaysia, Singapore, Indonesia, Bangladesh, India, Pakistan, Curacao, Mexico, Guatemala, Costa Rica, Australia, New Zealand, Tunisia, Algeria, Ethiopia, Tanzania, Uganda, Equatorial Guinea, Nigeria, Zambia, Mozambique, South Africa, Mauritius
	Video Metadata	Displays the intelligent frame, plate and vehicle paths.	
	Vehicle Brand	Recognizes 147 vehicle logos.	
	Vehicle Color	Recognizes 12 colors: Grey, black, white, silver, blue, green, purple, red, orange, pink, brown, and yellow.	
	Vehicle Type Recognition	Recognizes 10 vehicle types: Large Bus, Heavy Truck, Medium Truck, Sedan, Van, Light Truck, Medium Bus, SUV, MPV, Pickup	
	Capture Rate	In the recommended installation and lighting condition, the vehicle capture rate $\geq 99\%$	
	Recognition Rate	In the recommended installation and lighting condition, the recognition rate for positive and departing vehicles $\geq 96\%$; the recognition rate for European vehicle plates $\geq 98\%$	